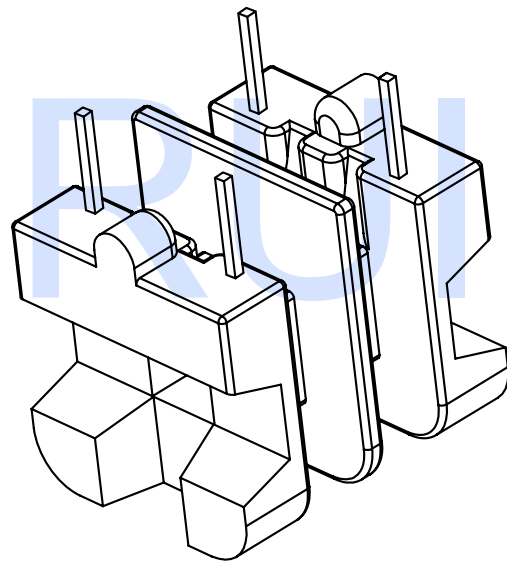
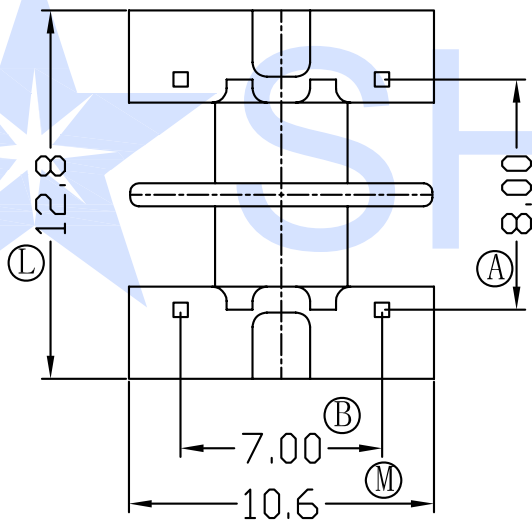
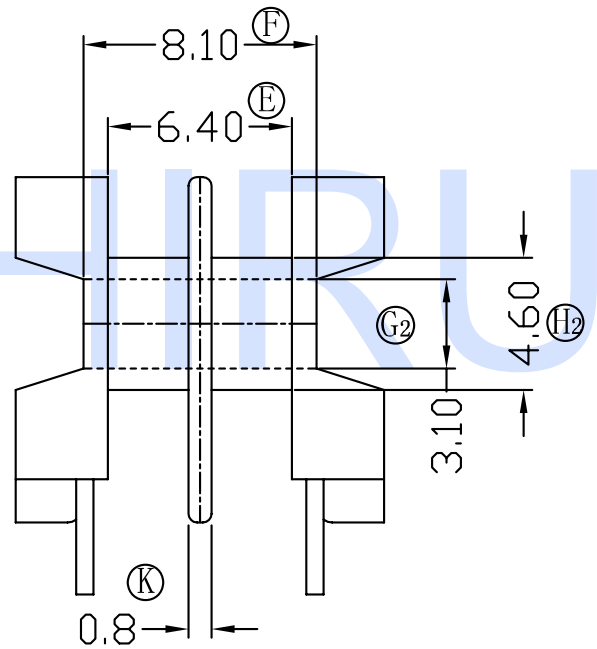
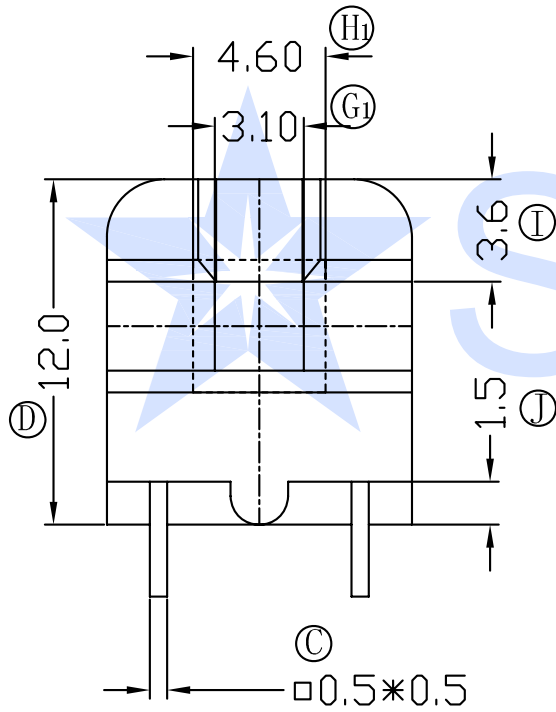


P/N

SR-UU 901-1



Hefei Shirui Electronic Technology Co.,Ltd

TEL:(0086) 55165232650

sales@shiruitech.com

www.shiruitech.com

SR NO.

SR-UU 901-1

MATERIAL:

PHENOLIC

UNIT: mm

TOLERANCE

DRN.

WILL H

MODEL NAME:

UU-9.8-4P-2S H

UL REC: UL 94V-0

0 L 4 ±0.10

CHD.

IRINA LEE

ANGLE: ±°

4 L 16 ±0.20

16 L 64 ±0.30

ISSD.

JAMES HU



SCALE 1:1

PIN PITCH ±0.05